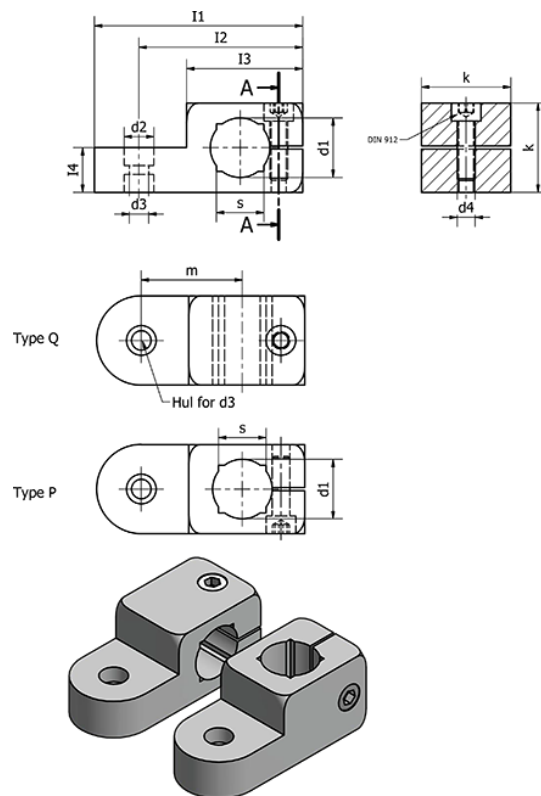


Article number: 20482B1525PMT  
 Description: E+G Swivel clamp  
 GN 482-B15-25-P-MT

## Measures



	= -	l1	= 62
	= -	l3	= 49.5
Clamping kit for d3 = GN 511.1-M6-25-S/K		l4	= 12.5
Clamping kit for d4 = GN 511-M6-25		k	= 25
d1	= 15	m	= 29
d2	= 10	s	= 12
d3	= 6.5	Weight (g)	= 65
d4	= M6		